



Series H

C 150 H

C 150 H x4 

C 200 H

C 200 H x4 

C 250 H

C 250 H x4 

Series HI

C 150 HI

C 200 HI

C 200 HI x4 

C 250 HI

C 250 HI x4 



Compens® System exclusivo AUSA: Tracción integral permanente que compensa automáticamente el par entre los ejes diferenciales.



FullGrip® System exclusivo AUSA: Tracción integral conectable electro-hidráulicamente desde el mando joystic.



www.ausa.com

AUSA Center, S.L.U. ● Ctra. de Vic, Km 2.8 - P.O.B. 194, 08243 Manresa - BARCELONA (ESPAÑA) Tel.: +34 93 874 73 11 E-mail: ausa@ausa.com

ISO 9001

ISO 14001



AUSA Madrid ● Pol. Ind. Coslada-Marconi 15-17, 28823 Coslada - MADRID (ESPAÑA) Tel.: +34 91 669 00 06 E-mail: ausa.madrid@ausa.com

AUSA France ● Z. I. Saint Charles-Rue de Zürich, 66000 PERPIGNAN (FRANCE) Tel.: +33 (0) 4 68 54 38 97 E-mail: ausa.france@ausa.com

AUSA Verkauf & Service Deutschland ● Heinrich - Welken Str. 5, 59069 HAMM - RHYNERN (GERMANY) Tel.: +49 (0) 2385-9359362 E-mail: info@ausa.de

BEIJING Rep. Office ● Address Room 527, HengXiang Building, Tuanjieshu Nanli, Chaoyang District. - Beijing 100026 CHINA Tel: 86-10-8597 1983 - Fax: 86-10-8597 1993 - E-mail: ausa.china@ausa.com

AUSA UK ● Sales: 07970639988 E-mail: ausa.uk@ausa.com

AUSA Northamerica Corp. ● E-mail: ausa.corp@ausa.com



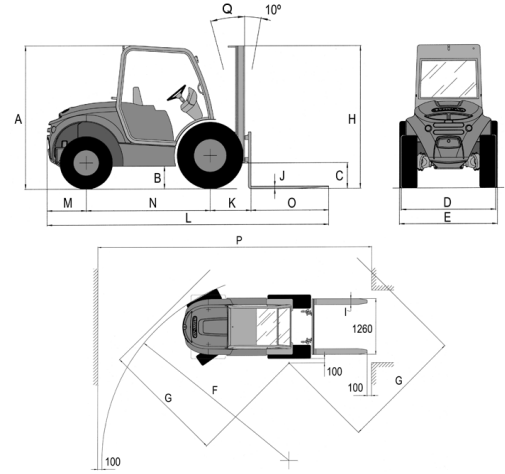
(Sede central AUSA-Manresa)

C 150 H\_1500Kg  
 C 200 H\_2000Kg  
 C 250 H\_2500Kg



www.ausa.com

DIMENSIONS (mm)	C 150 H C 150 HI	C 150 HI x4	C 200 H C 200 HI	C 200 H x4 C 200 HI x4	C 250 H C 250 HI	C 250 H x4 C 250 HI x4
A	1990	2020	2050	2080	2150	2120
B	220	250	245	275	280	220
C	215	215	310	310	390	390
D	-	-	1375	1392	1375	1392
(narrow axle) E	1305	1305	1460	1460	1510	1510
(wide axle) E	-	-	1782	1782	1810	1810
F	2550	4000	2800	4040	2800	4040
G	2350	2550	2600	2900	2600	2900
I	100	100	100	100	130	130
J	35	35	40	40	45	45
K	500	500	610	610	615	615
L	3645	3645	4240	4240	4245	4245
M	390	390	580	580	580	580
N	1740	1740	1850	1850	1850	1850
O	1000	1000	1200	1200	1200	1200
P	4250	5700	4700	6300	4700	6300
Q	10°	10°	13°	13°	13°	13°



	Maximum lifting height (mm)	Front Axle	Free lift (mm)	Machine height with mast retracted			Machine height with mast extended (mm)			Load (Kg) at max. height								
				C150H Hx4 / HI	C200H / Hx4 HI / Hlx4	C250H / Hx4 HI / Hlx4	C150H Hx4 / HI	C200H / Hx4 HI / Hlx4	C250H / Hx4 HI / Hlx4	(A) C150H / Hx4	(B) C150HI	(A) C200H / Hx4 (narrow axle)	(B) C200HI / Hlx4 (narrow axle)	(A) C250H / Hx4 (wide axle)	(A) C250HI / Hlx4 (narrow axle)	(B) C250H / Hx4 (narrow axle)	(A) C250HI / Hlx4 (wide axle)	
C 200 / 250 H	Dúplex (Std.)	3300	Estr. / Ancho (op.)	120	-	2395	2460	-	4150	4215	-	-	2000	2000	2000	2500	2500	2500
	Dúplex	2600	Estr. / Ancho (op.)	120	-	2045	2110	-	3450	3515	-	-	2000	2000	2000	2500	2500	2500
	Dúplex	3600	Estr. / Ancho (op.)	120	-	2545	2610	-	4450	4515	-	-	2000	2000	2000	2300	2500	2400
	Dúplex	4500	Ancho	120	-	2995	3060	-	3530	5415	-	-	1800	1800	-	2500	2100	-
C 150 H	Triplex (free lift)	3700	Estr. / Ancho (op.)	1130	-	2045	2120	-	4590	4665	-	-	1800	2000	2000	2200	2500	2300
	Triplex (free lift)	4300	Ancho	1330	-	2245	2320	-	5230	5300	-	-	1800	1800	-	2500	2100	-
	Triplex (free lift)	5400	Ancho	1680	-	2610	2685	-	6295	6370	-	-	1700	1100	-	2200	1100	-
C 150 H	Dúplex (Std.)	2660	-	0	1975	-	-	3285	-	-	1500	1500	-	-	-	-	-	-
	Dúplex	3300	-	0	2325	-	-	3925	-	-	1350	1500	-	-	-	-	-	-
	Dúplex (free lift)	2600	-	1360	1975	-	-	3270	-	-	1500	1500	-	-	-	-	-	-
Triplex (free lift)	4000	-	1360	1975	-	-	4670	-	-	1200	1300	-	-	-	-	-	-	

TECHNICAL SPECIFICATIONS		C 150 H / C 150 HI / C 150 Hx4	C 200 H / C 200 HI / C 200 Hx4 / C 200 Hlx4	C 250 H / C 250 HI / C 250 Hx4 / C 250 Hlx4
Load capacity (kg) @ centre of gravity		1500 @ 500 mm / 1350 @ 600 mm	2000 @ 500 mm / 1850 @ 600 mm	2000 @ 500 mm / 2300 @ 600 mm
Lifting height (Standard duplex mast) (mm)		2660	3300	3300
Engine	Diesel	KUBOTA V 1505		ISUZU 4LE2
	Power acc./SAE J 1995 (KW/HP)	22.7 / 30.8 (2600 rpm)		36.5 / 49.6 (2600 rpm)
	Power acc./SAE J 1349 (KW/HP)	-		-
	Nº of cylinders	4		4
	Cooling system	Water		
Traction		4x2 / 4x2 / 4x4 Compen	4x2 / 4x2 / 4x4 Comen / 4x4 FullGrip	4x2 / 4x2 / 4x4 Compen / 4x4 FullGrip
Transmission		Hydrostatic with variable flow pump and automatic regulation. Two speed hydrostatic motor. Electrical reverser in joystick. Inching pedal.	Hydrostatic with variable flow pump and automatic regulation. Two speed engine. Electric gear inverter. Inching pedal.	Hydrostatic with variable flow pump and automatic regulation. electric gear inverter. Inching pedal.
Unladen weight (Kg) (with full tanks)		2600	3800 (4x2) / 3900 (4x4)	4200 (4x2) / 4300 (4x4)
Gradient negotiable (with full load)		25%	38% (4x2) / 37% (4x4)	38% (4x2) / 37% (4x4)
Speed (Maximum) (Km/h)		20		
Engine starting system		Electric		
Tyres	Front	10.0 / 75 - 15.3	11.5 / 80 - 15.3	12.5 / 80 - 18
	Rear	6.00-9 (C150H / HI) / 23 x 8.50 - 12 (C150 Hx4)	7.00-12 (C200H / HI / Hlx4) / 27x10-12 (C200 Hx4)	7.00-12 (C250H / HI / Hlx4) / 10.0 / 75 - 15.3 (C250 Hx4)
Steering		Hydraulic. Working pressure 130 bar.		
External turning circle (mm)		2550 (4x2) / 4000 (4x4)	2800 (4x2) / 4400 (4X4 COMPEN) / 4040 (4x4 4X4 FULL GRIP)	
Tank capacity (l)	Fuel	45	50	
	Hydraulic fluid	40	40	
Service brake		Hydraulic		
Parking brake		Mechanical		
Hydraulic circuit		2 gear pump of 10.6 and 6 cc. Working Pressure 200 bar.	18-8 cc. double gear pump. Working Pressure 180 bar.	18-8 cc. double gear pump. Working Pressure 210 bar.
Operating pressures for accessories		200	180	210
Forkcarriage		FEM 2 - Widht 1260 mm	FEM 2 - Widht: 1260 mm (optional 1600 mm)	
Satisfy rule stability test	A	For rough terrain use EN1726 - 1 - AP.H (Models H)		
	B	For semi-industrial use EN 1726 - 1 ISO 1074 (Models HI)		
STANDARD EQUIPMENT		Open Cabin Ergonomic seat Seat Belt Joystick Rotating beacon 3rd. hydraulic power take-off (PTO) attachment Side-shift: 126 mm (width) Active security equipment Audible reverse warning	Open cabin Ergonomic seat Seat belt Joystick Rotating beacon 3rd. hydraulic power take-off (PTO) attachment Side-shift: 126 mm (width) Active security equipment Audible reverse warning Chasis mounted integral belly plate Narrow front axle	
OPTIONAL EQUIPMENT		Semi-closed cabin Full cabin with heater Front and rear lights Tyres: Solid, flotation, industrial Catalytic converter Spark arrestor Fuel oil filter with water separator 4th. hydraulic power take-off (PTO) attachment 300 litre and 400 litre hydraulic buckets Load backrest of 1260 mm	Electronic power cut-off Semi-closed cabin Full cabin with heater Front and rear lights Tyres: solid, flotation, industrial Wide front axle Catalytic converter Spark Arrestor Fuel oil filter with water separator 4 th hydraulic valve for accessories 400 litre and 600 litre hydraulic buckets Side-shift: 1600 mm (width) Load backrest of 1260 mm and 1600 mm	